

WHAT SIZE FURNITURE COVER SHOULD I BUY?

Chair
(seats 1)



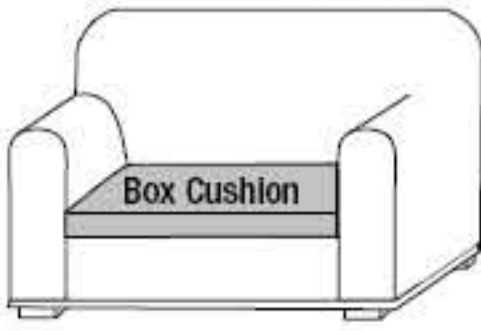
Loveseat
(seats 2)



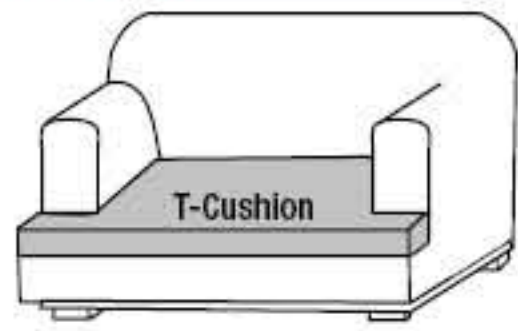
Sofa
(seats 3 or more)



WHAT TYPE OF SEAT CUSHION DO I HAVE?



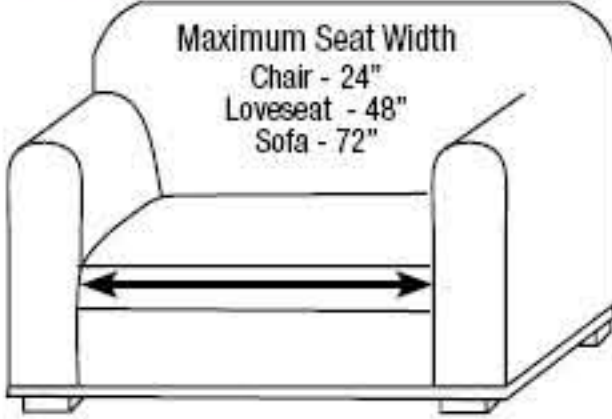
Box Cushion



T-Cushion

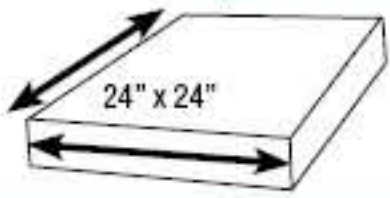
BOX CUSHION MEASUREMENTS

Solo Seat, Wrap Skirt, Straight Skirt, and Stretch



Maximum Seat Width
Chair - 24"
Loveseat - 48"
Sofa - 72"

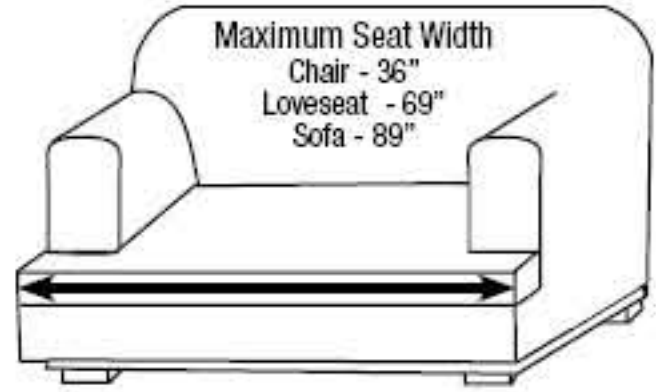
Separate Seat Measurements



Chair has 1 cushion cover
Loveseat has 2 cushion covers
Sofa has 3 cushion covers

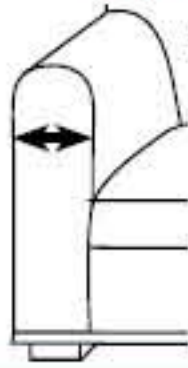
T-CUSHION MEASUREMENTS

Regular and Stretch T-Cushions

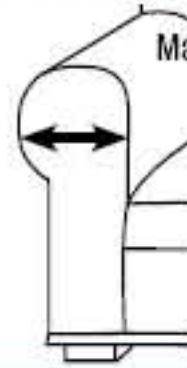


Maximum Seat Width
Chair - 36"
Loveseat - 69"
Sofa - 89"

STRETCH BOX AND T-CUSHION ARM MEASUREMENTS



Minimum arm width
7"



Maximum arm width
14"

WING CHAIR MEASUREMENTS

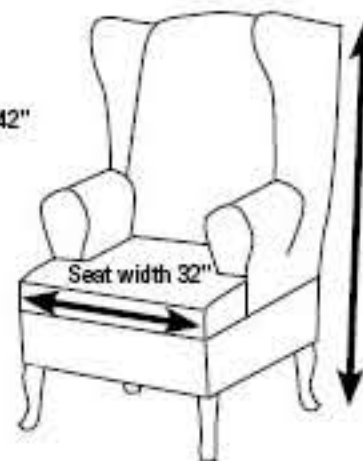
Fits T-cushion wing chairs



Regular

Back height 42"

Seat width 29"




Stretch


Back height 45"

Seat width 32"

Furniture Throw measurements (partial back coverage)		
Chair	Loveseat	Sofa
90" max	140" max	170" max



throw
add 10" for tucking allowance

Dining Chair Cover Measurements	Regular	Fitted (Performance Twill)	
Top width of back	23"	18"	
Back height	42"	41"	

Recliner measurements (4 pieces: back, seat/footrest, left arm, right arm)

Medium - right side handle, continuous footrest	82"	Measure around entire back
Large - right side handle, continuous footrest, and extra-wide seat	88"	

